

## Air Drying Tunnel for WTM

The Electrolux Dishwashing range is produced for customers with the highest conceivable demands in efficiency, economy and ergonomics dishwashing operation. The product range comprises glasswashers, undercounter dishwashers, hood type dishwashers, rack type dishwashers, flight type dishwashers and pot and pan washers. The Air-Drying Tunnels complete the rack type dishwashing range.



864500

### EASY TO INSTALL

- It is designed to be placed on any Electrolux modular (WTM) rack type dishwasher.

### EASY TO USE

- The air drying tunnel is available in two versions: 900mm for machines faster than 165 rack/hour and 600mm suited for machines slower than 165 rack/hour.
- The feeding system from the dishwasher and the curve will automatically move the racks through the Air-Drying Tunnel.

- The drying zone removes every trace of water from the crockery, through a high powered fan that extracts dry air from outside, providing dry plates at a low temperature.
- The automatic start/stop function switches off the machine when not in use, to save energy.
- Electronically controlled to optimize the drying results.

### EASY TO CLEAN

- The hygienic design provides easy cleaning through a door that gives full accessibility to the interior of the tunnel.

### EASY TO MAINTAIN

- 304 AISI stainless steel front, side and top panels.

### EASY ON THE ENVIRONMENT

- Developed and produced in an ISO 9001 and ISO 14001 certified factory.
- CFC free packaging.



**Electrolux**

**Electrolux Dishwashing  
Air Drying Tunnel for WTM**

IEBG010

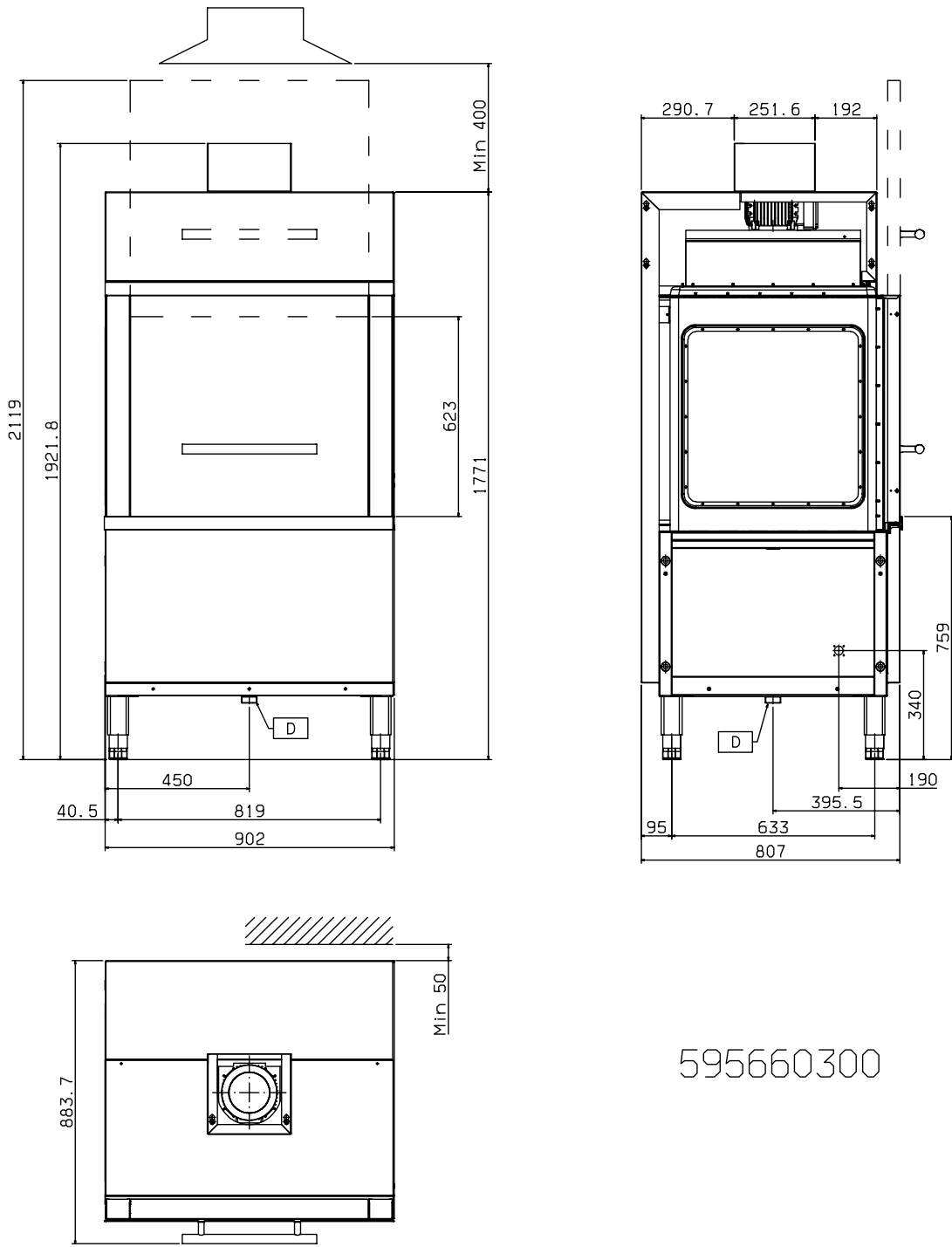
2009-06-19

	<b>ADTLERMD 864500</b>	<b>ADTLELMD 864501</b>	<b>ADTERMD 864510</b>	<b>ADTELMD 864511</b>	<b>ADTLSRMD 864514</b>	<b>ADTSLMD 864515</b>
<b>TECHNICAL DATA</b>						
Power supply	Electric	Electric	Electric	Electric	Steam & Electric	Steam & Electric
Feeding direction	from Right to Left	from Left to Right	from Right to Left	from Left to Right	from Right to Left	from Left to Right
External dimensions - mm						
width	900	900	600	600	900	900
depth	884	884	884	884	884	884
height	1922	1922	1771	1771	1922	1922
Power - kW						
electric	9.4	9.4	8.5	8.5	1.1	1.1
Steam supply						
relative dynamic pressure bar - min/max					1.5, 3	1.5, 3
Steam consumption peak - Kg/h					22	22

Subject to change without notice

**Electrolux Dishwashing  
Air Drying Tunnel for WTM**

864500, 864501



	<b>ADTLERMD 864500</b>	<b>ADTLELMD 864501</b>
<b>LEGEND</b>		
D - Water drain	G 1 1/2"	G 1 1/2"
EI - Electrical connection	400 V, 3N, 50/60	400 V, 3N, 50/60

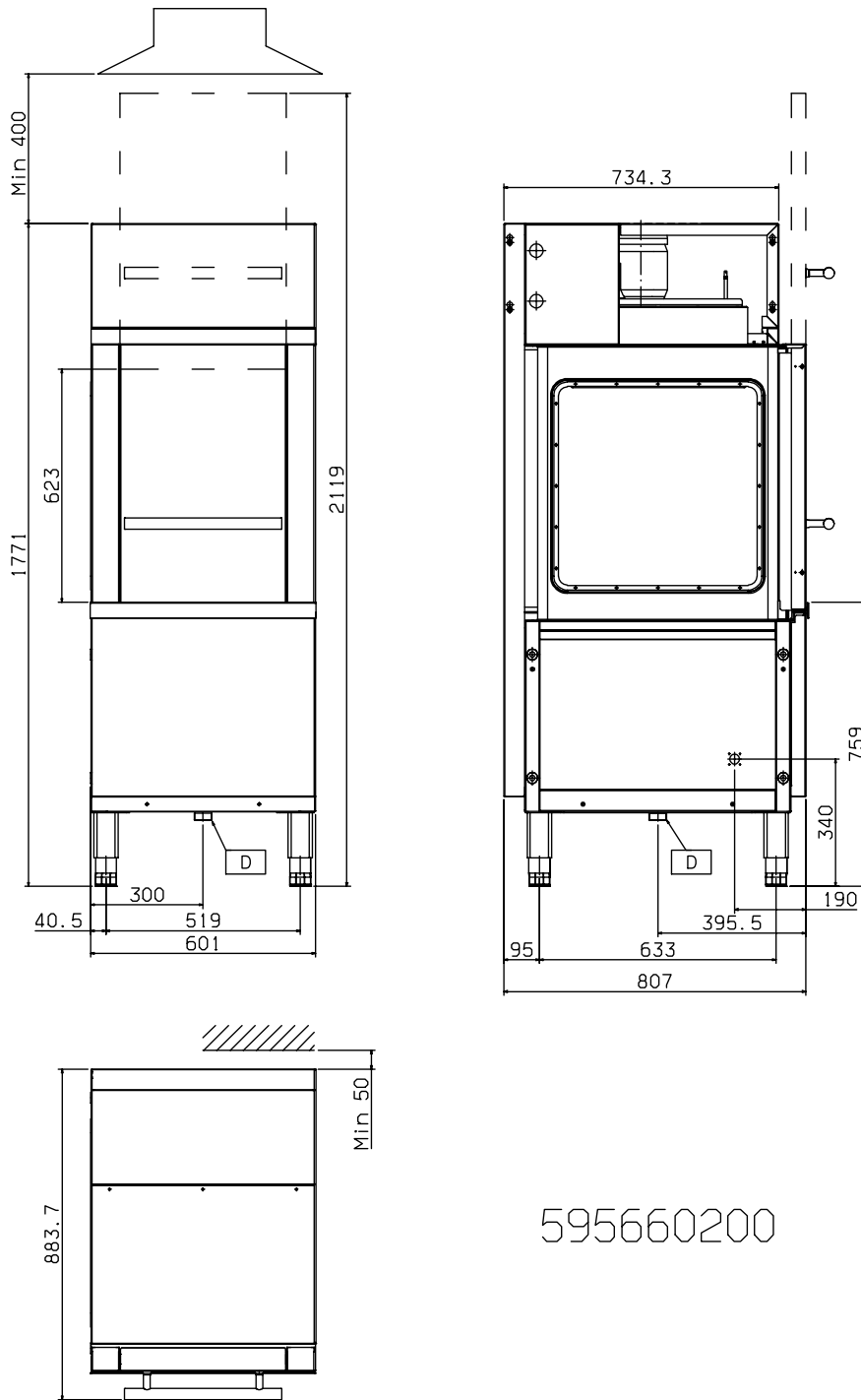
IEBG010

2009-06-19

Subject to change without notice

**Electrolux Dishwashing  
Air Drying Tunnel for WTM**

864510, 864511



IEBG010

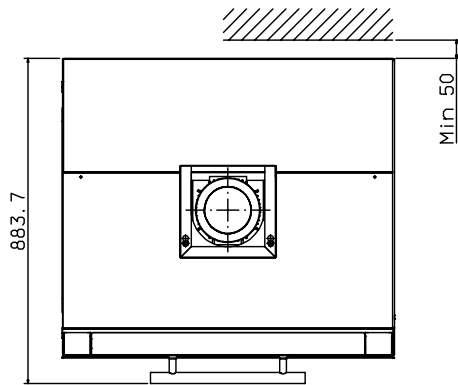
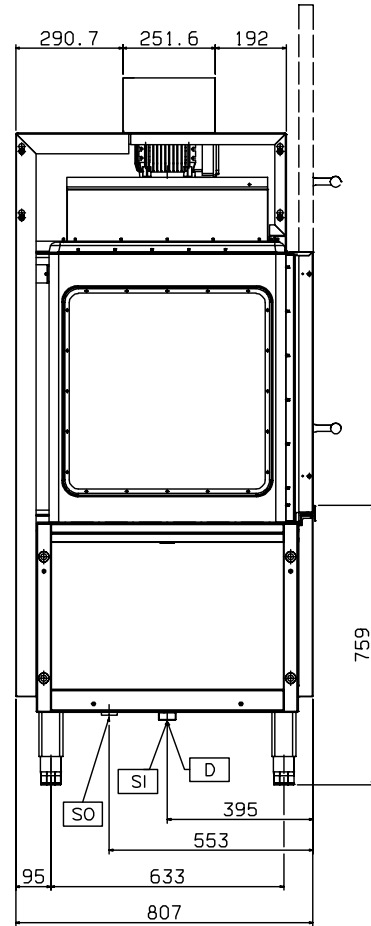
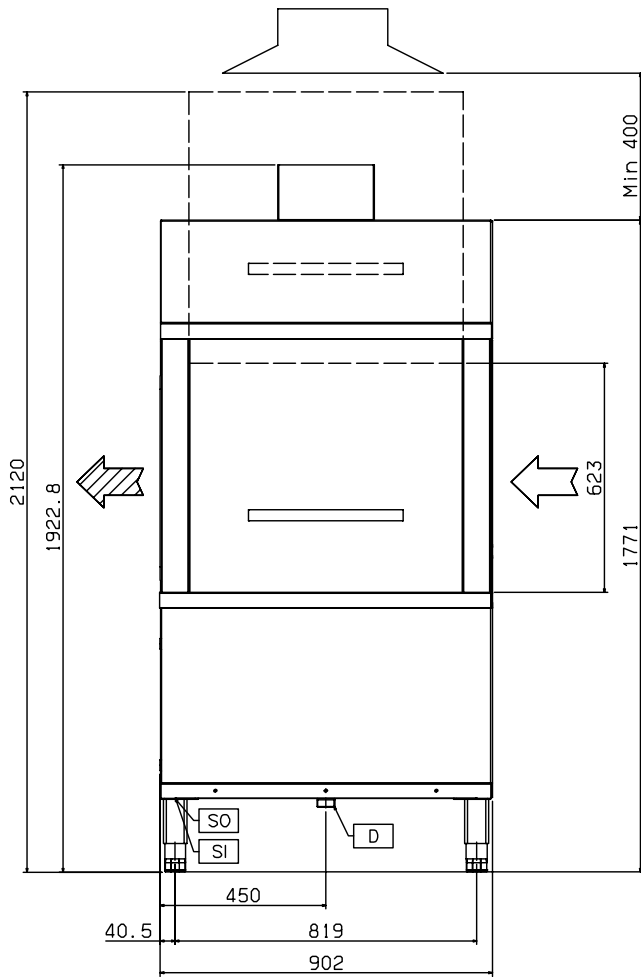
2009-06-19

Subject to change without notice

	<b>ADTERMD 864510</b>	<b>ADTELMMD 864511</b>
<b>LEGEND</b>		
D - Water drain	G 1 1/2"	G 1 1/2"
EI - Electrical connection	400 V, 3N, 50/60	400 V, 3N, 50/60

**Electrolux Dishwashing  
Air Drying Tunnel for WTM**

864514



595664Q00

IEBG010

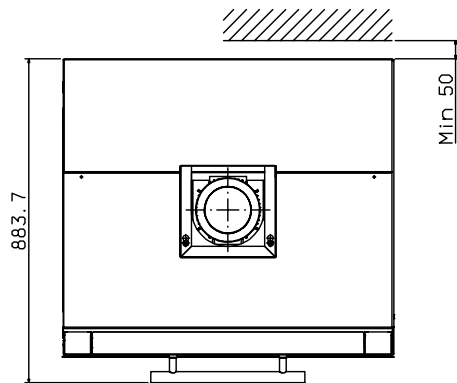
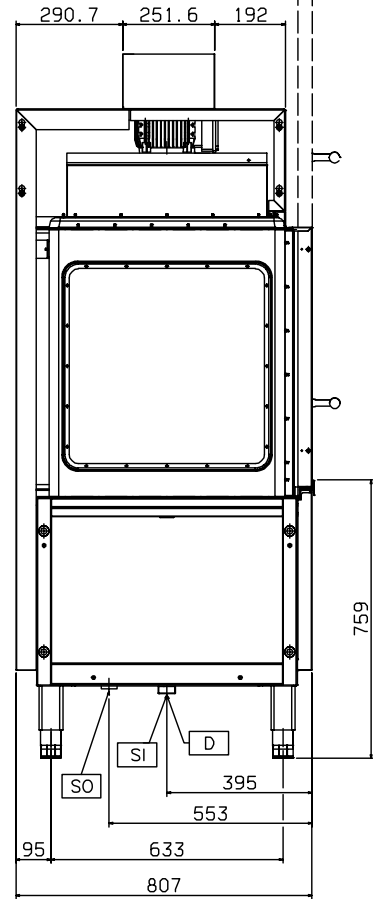
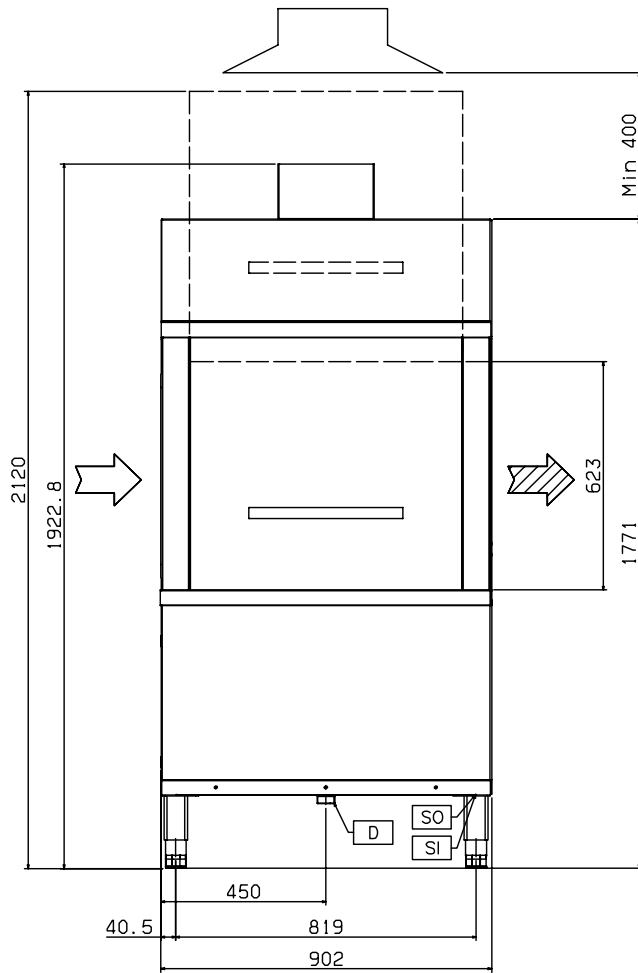
2009-06-19

Subject to change without notice

<b>LEGEND</b> D - Water drain EI - Electrical connection	<b>ADTLSRMD 864514</b>
	G 1 1/2"
	400 V, 3N, 50

**Electrolux Dishwashing  
Air Drying Tunnel for WTM**

864515



595664R00

**LEGEND**

- D - Water drain
- EI - Electrical connection

**ADTSLMD  
864515**

G 1 1/2"  
400 V, 3N, 50

IEBG010

2009-06-19

Subject to change without notice